



PD800E

LOW PROFILE SILO

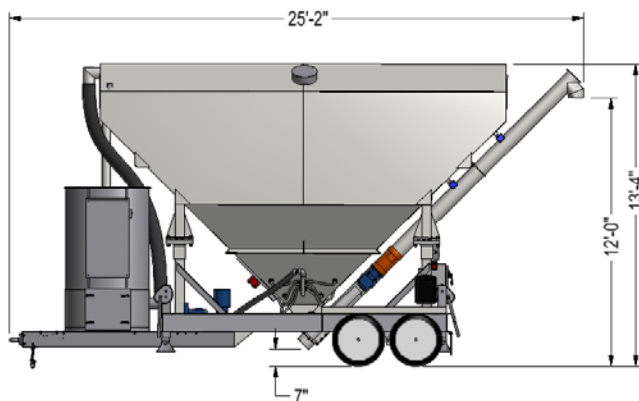
PENNDRILL MANUFACTURING
321 ARBOR COURT
WINCHESTER, VA 22602

FOR MORE INFORMATION:
TOLL FREE: (866) 459-5309
OFFICE: (540) 771-5882
FAX: (540) 665-5206

WHY USE A PD800 LOW PROFILE SILO?

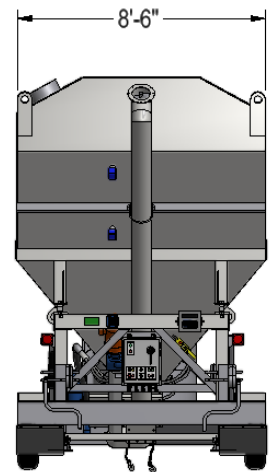
With the PD800 Silo alongside the PD1011HD Colloidal Grout Plant you'll have the resources for producing a continuous grout supply. As soon as you empty the mixing tank, and before emptying the holding tank, you're ready to begin a new batch. All this with one operator, saving you on labor cost.

PennDrill's PD800 200 barrel (800 bags) low profile silo, with the touch of a button, delivers the cement, bentonite or other material to the mixing tank in the required amount. This means no bags, no lifting, and much less clean up. Going bulk saves you time and money by purchasing your material in larger quantities. This lowers both the cost of the product and labor because there is less handling compared to bagged quantities. By taking grout bags out of the picture, you reduce the risk of contamination and increase material measurement accuracy. For mobility, the PD800E is highway ready on two 6000 lb. axles with electric brakes and lights.



SPECIFICATIONS:

- 800 Cu/ft tank (Approx. 60,000 lb of material)
- Aeration System
- Blower
- Silo Vent
- Digital Indicator
- Scaling system for weighted discharge
- Cable Remote
- 8500 lb dry weight
- Bin Vibrator



PENNDRILL MAINTAINS ALL COMMON WEAR
ITEM REPLACEMENT PARTS IN STOCK

